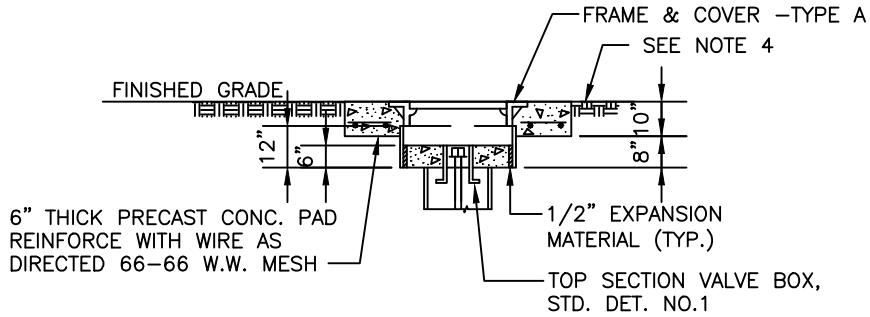
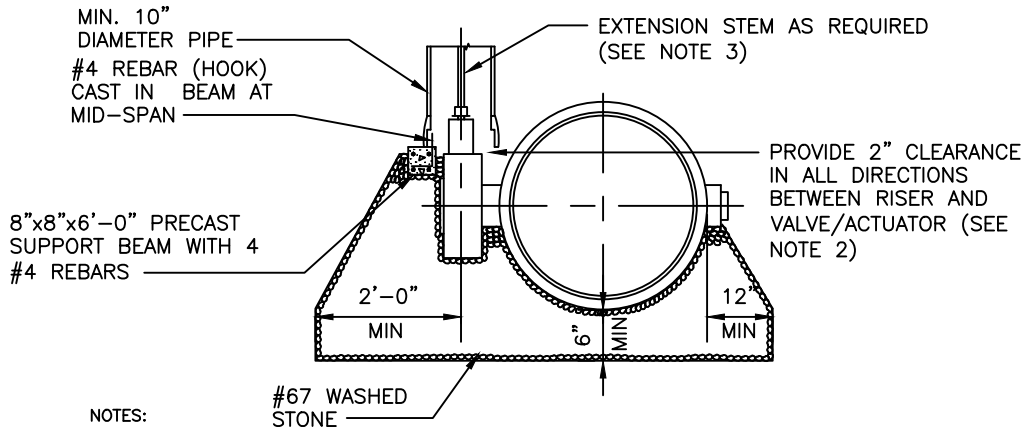


METHOD B

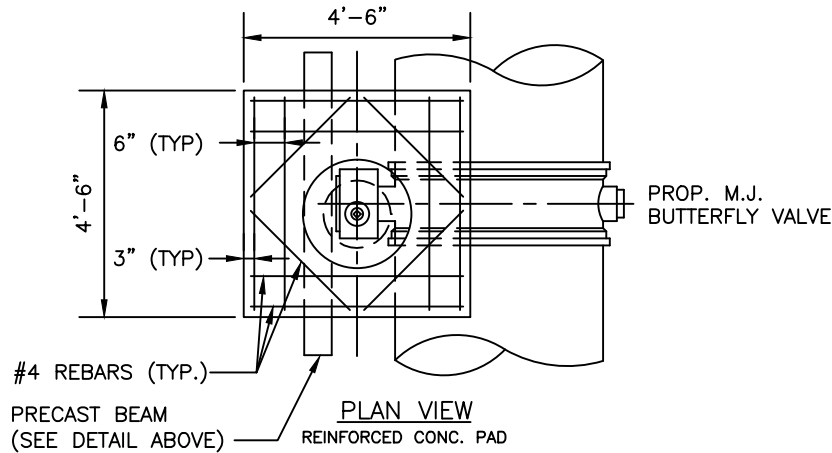



METHOD A



NOTES:

1. METHOD B SHALL BE USED IN PAVED AREAS AND METHOD A SHALL BE USED IN NONPAVED AREAS.
2. DIAMETER OF RISER MAY VARY AS REQUIRED BY VALVE ACTUATOR.
3. WHEN OPERATING NUT DEPTH EXCEEDS 4'-0" BELOW FINISHED GRADE, PROVIDE EXTENSION STEM WITH STD. 2" SQUARE OPERATING NUT IN TOP SECTION OF VALVE BOX, EXTENSION STEM SHALL BE SIZED AS RECOMMENDED BY THE VALVE MANUFACTURER.
4. PROVIDE PRECAST PROTECTOR RING IF IN SHOULDER OF ROAD.



		CITY OF CONCORD STANDARD DETAIL DIRECT BURY BUTTERFLY VALVE INSTALLATION			
No.	Date	By	REVISION		
Drawn By:	Checked By:	Approved By:	Date	Sht	of
	PK	MSH	09/08		