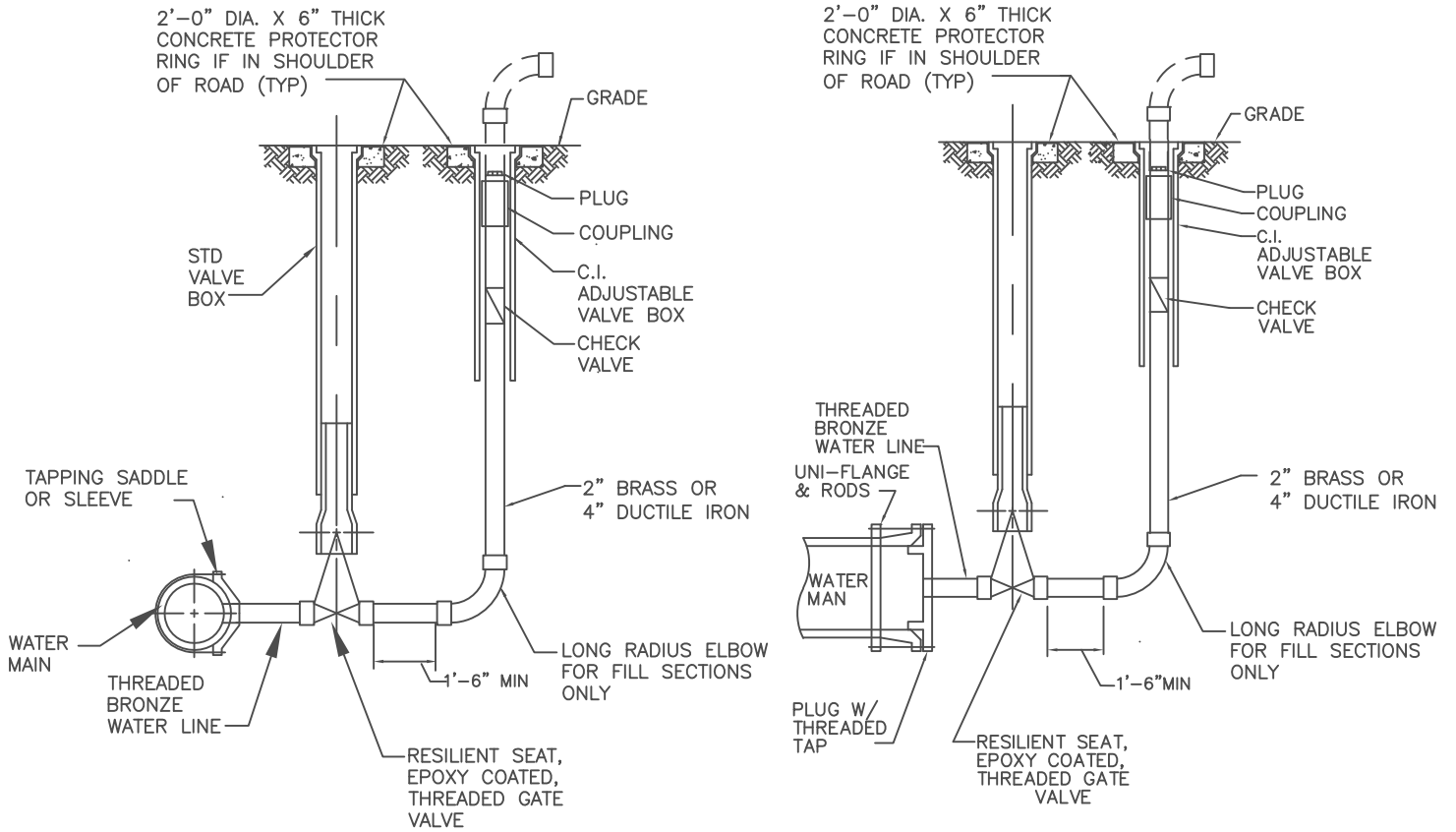


IN-LINE BLOW-OFF

DEAD END BLOW-OFF



GENERAL NOTES:

1. INSTALL 2" BLOW-OFF ON 2" THRU 18" MAINS.
2. INSTALL 4" BLOW-OFF ON 20" OR LARGER MAIN.
3. IF THE SEPARATION BETWEEN THE CONTROL VALVE AND THE BLOW-OFF DOES NOT ALLOW THE INSTALLATION OF THE CONCRETE PROTECTOR RINGS, A 24" BY 24" BY 6" THICK CONCRETE PAD SHALL BE FORMED AND POURED AROUND THE VALVE BOX. THE EDGE OF THE VALVE BOX RIM MUST BE AT LEAST 8" FROM THE EDGE OF THE CONCRETE PAD.

			CITY OF CONCORD			
			STANDARD DETAIL			
			BLOW-OFF ASSEMBLY			
No.	Date	By	REVISION			
Drawn By:		Checked By:	Approved By:	Date	Sht	of
SVM		PLK	MSH	03/10		