

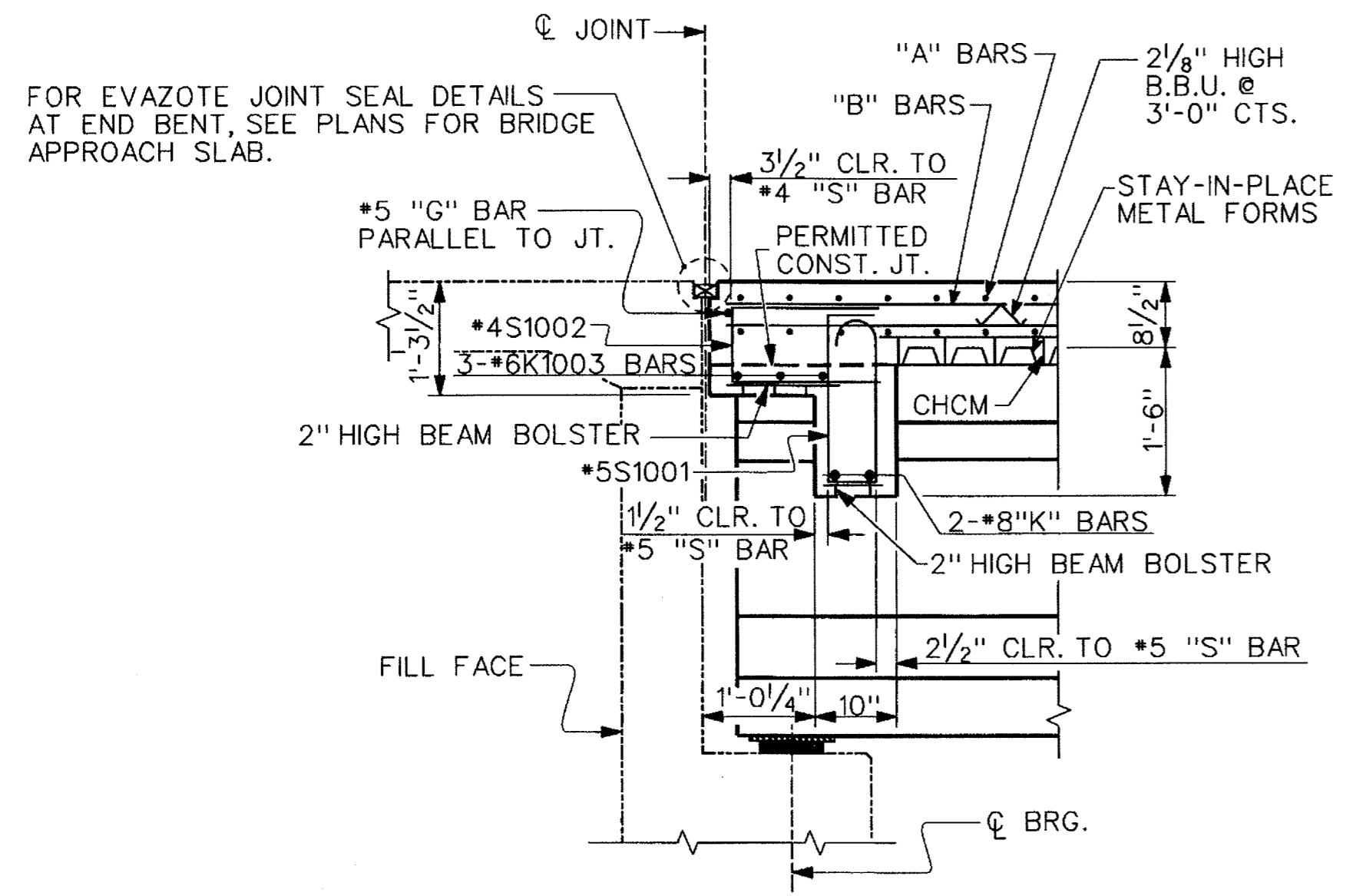
PLAN OF GIRDER AT END BENT 1

PLAN OF GIRDER AT BENT 1

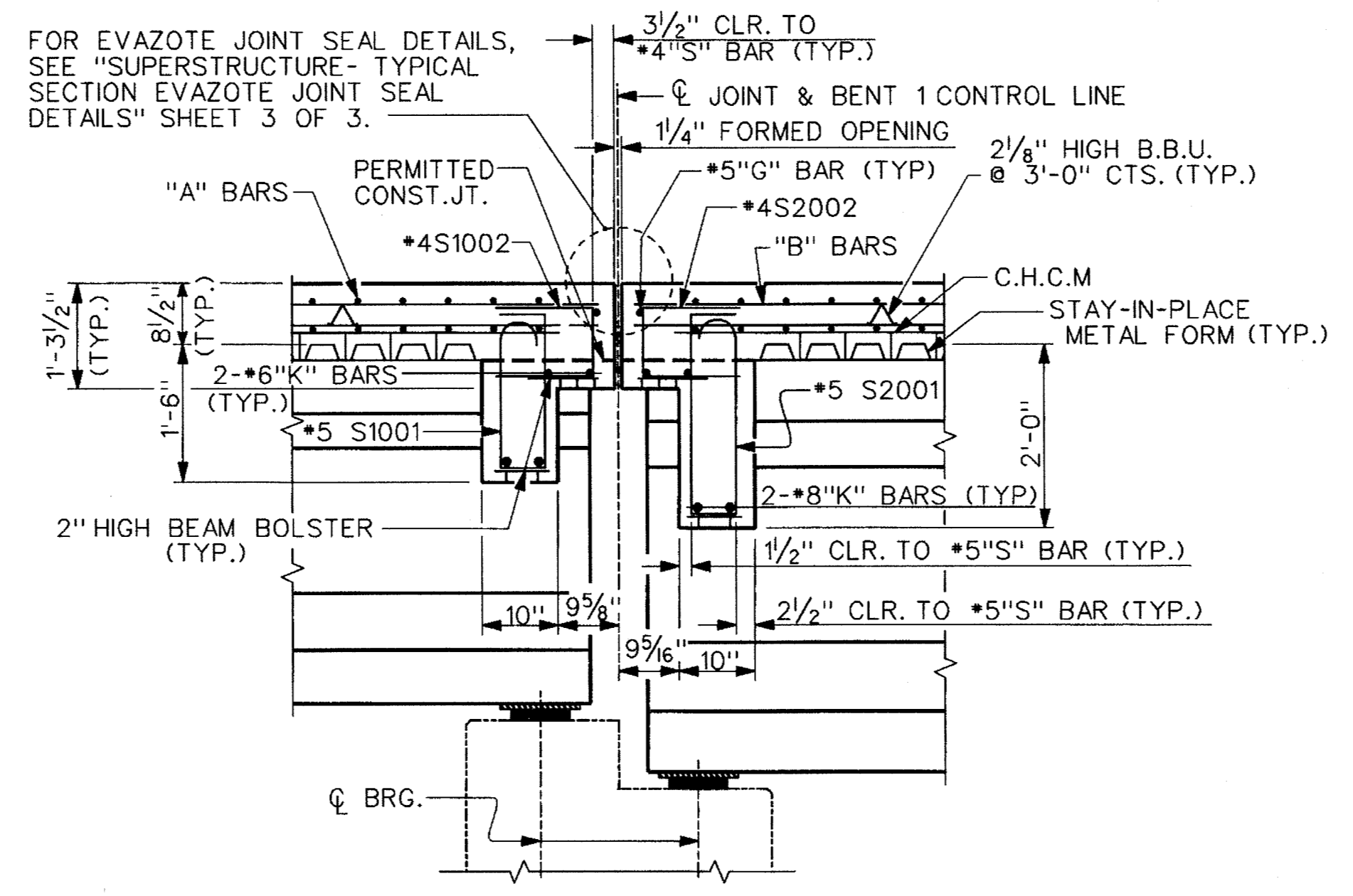
PLAN OF GIRDER AT BENT 2

PLAN OF GIRDER AT BENT 3

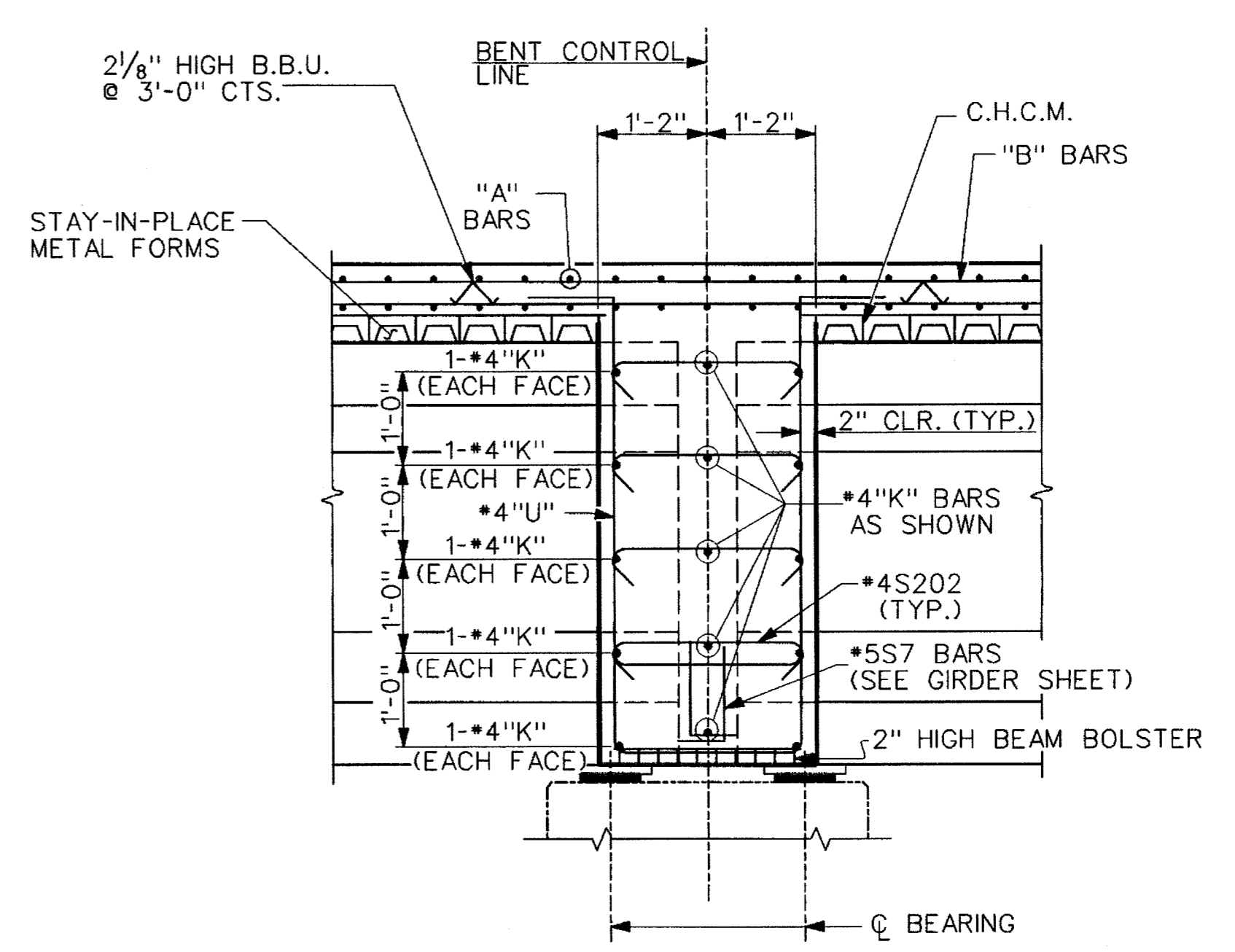
PLAN OF GIRDER AT END BENT 2



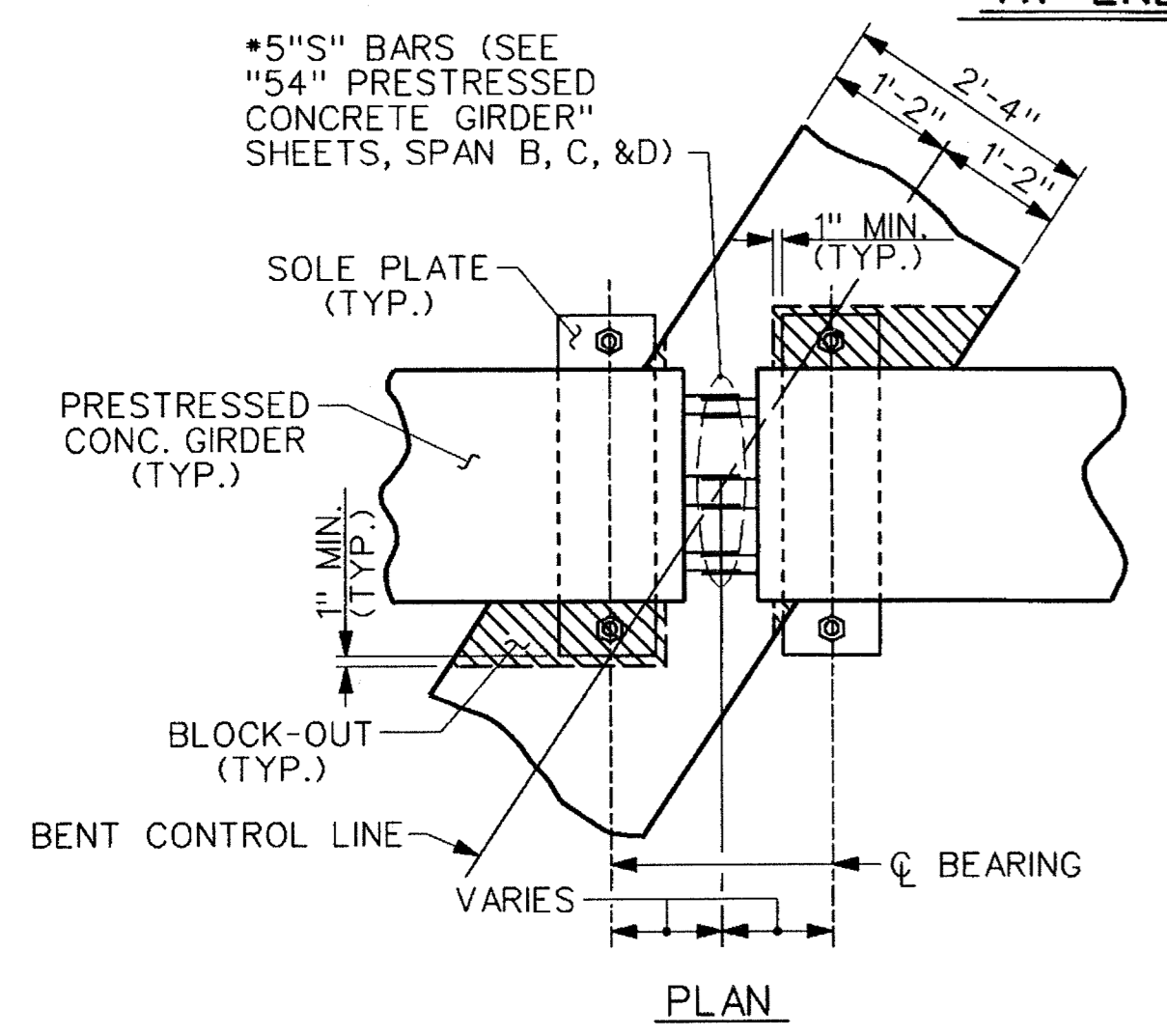
SECTION THRU DIAPHRAGM AT END BENT 1



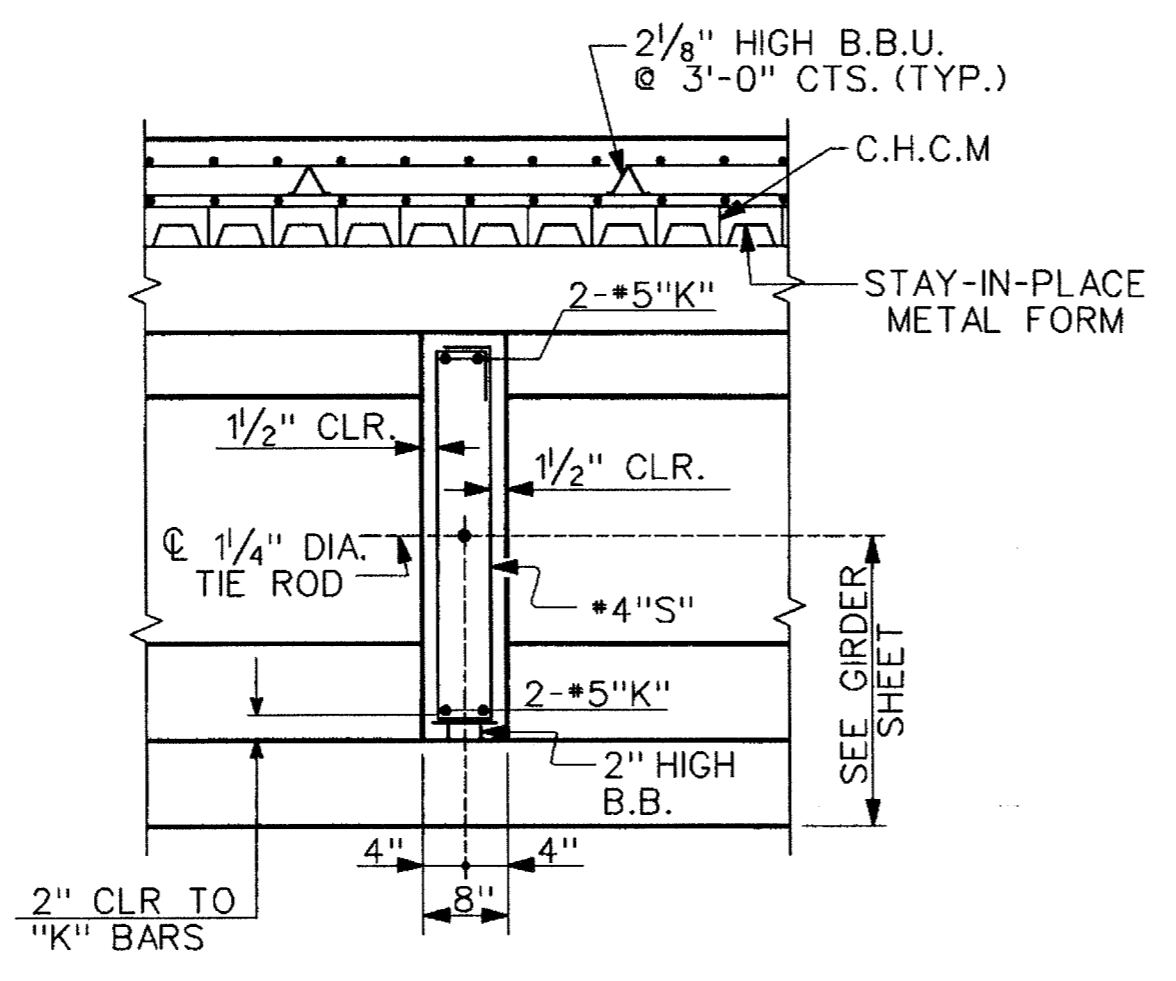
SECTION THRU DIAPHRAGMS AT BENT 1



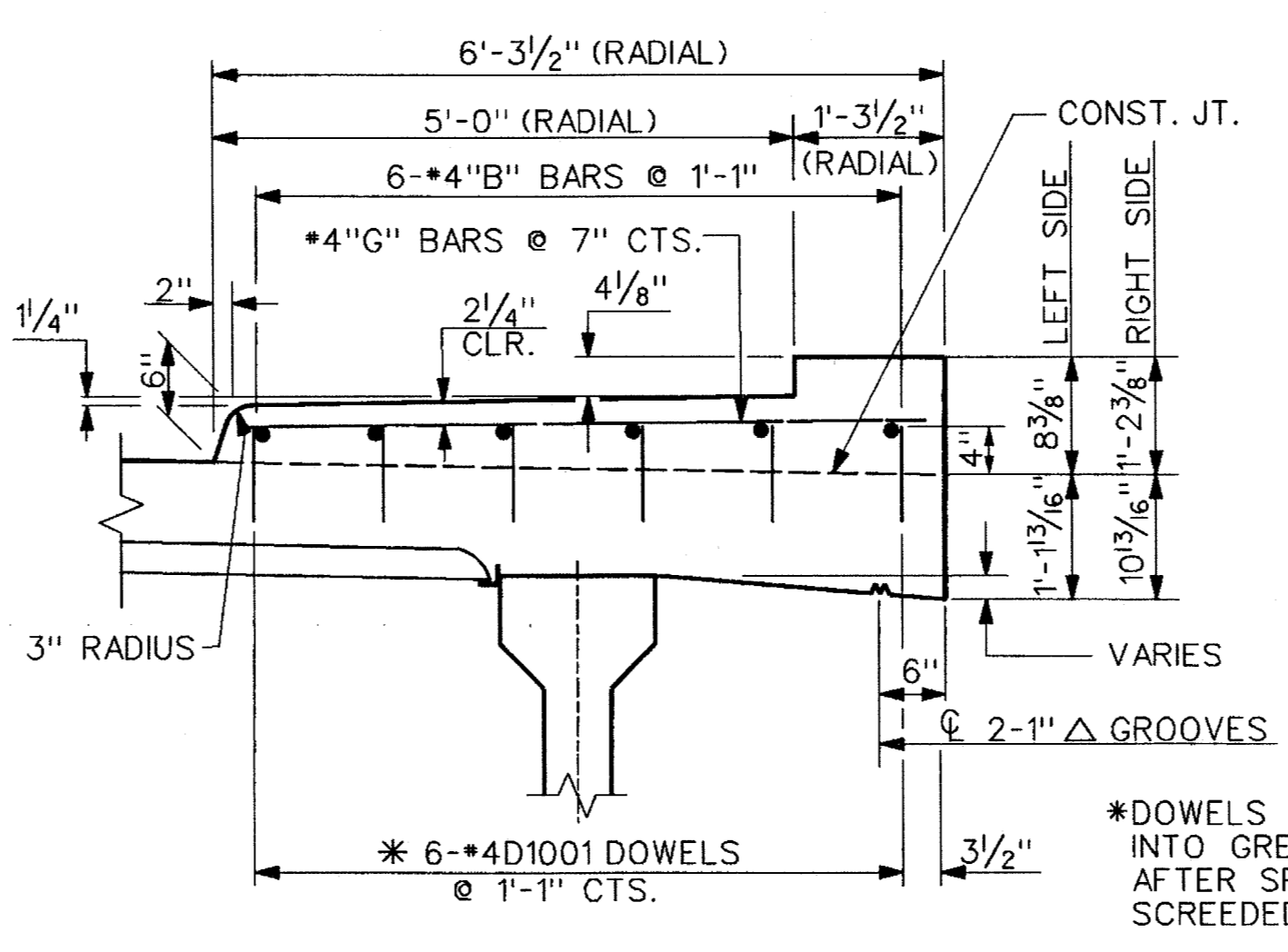
SECTION THRU DIAPHRAGM AT BENT 2 & BENT 3



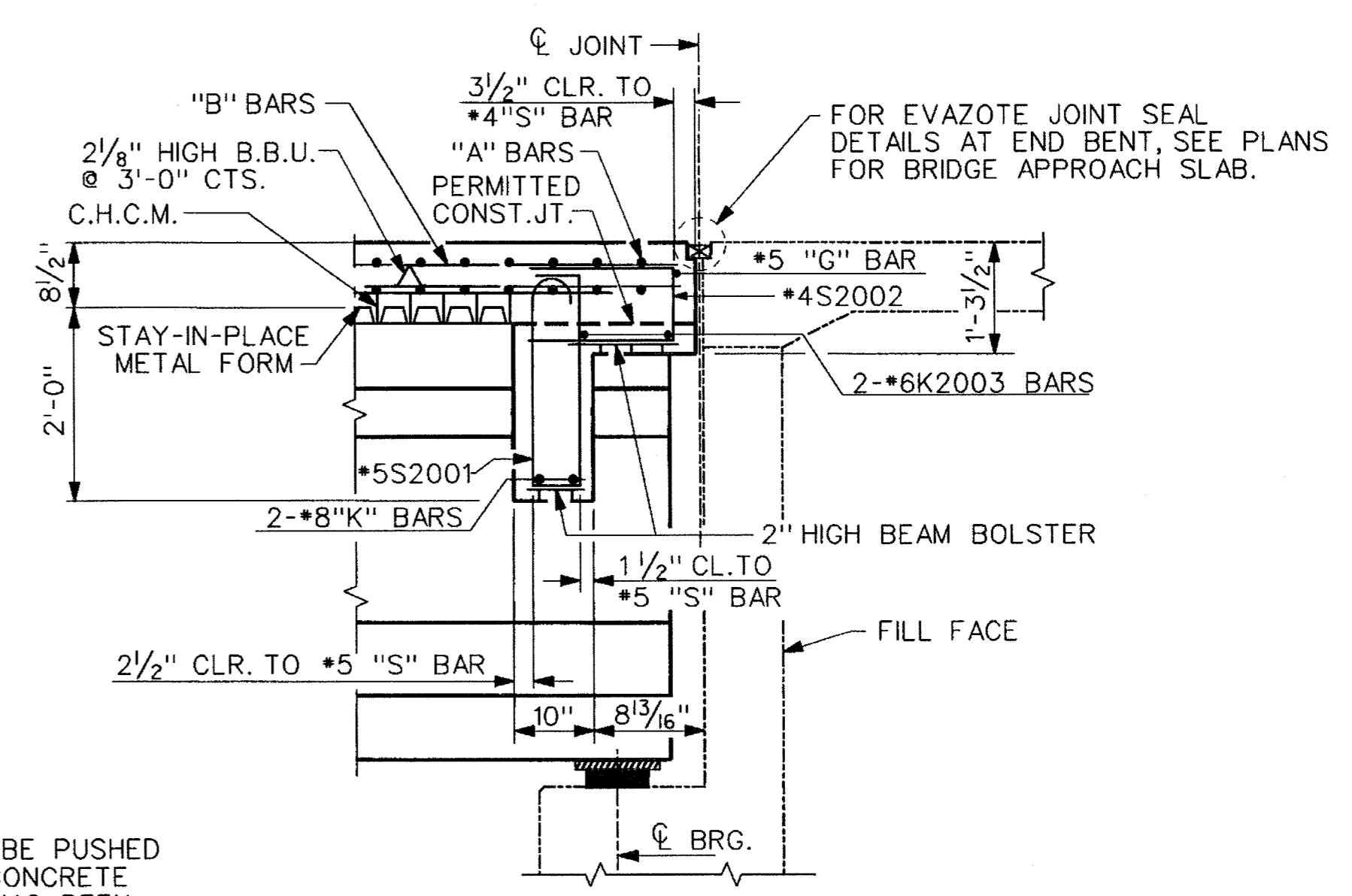
PLAN



SECTION THRU INTERMEDIATE DIAPHRAGMS



SECTION THRU SIDEWALK



SECTION THRU DIAPHRAGM AT END BENT 2

SECTION BENT DIAPHRAGM BLOCK-OUT DETAIL @ BENTS 2 & 3

DATE: 5/99

TECHNICIAN: TD

CHECKED BY: DS

REVISIONS

NO.	DATE

SCALE: NTS

PROJ. NO. 28082.80

SHEET NO. 2 of 3

DRAWING NO. 56