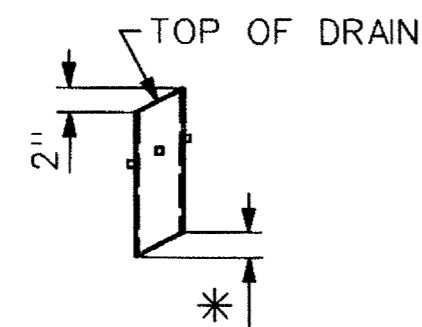


ELEVATION

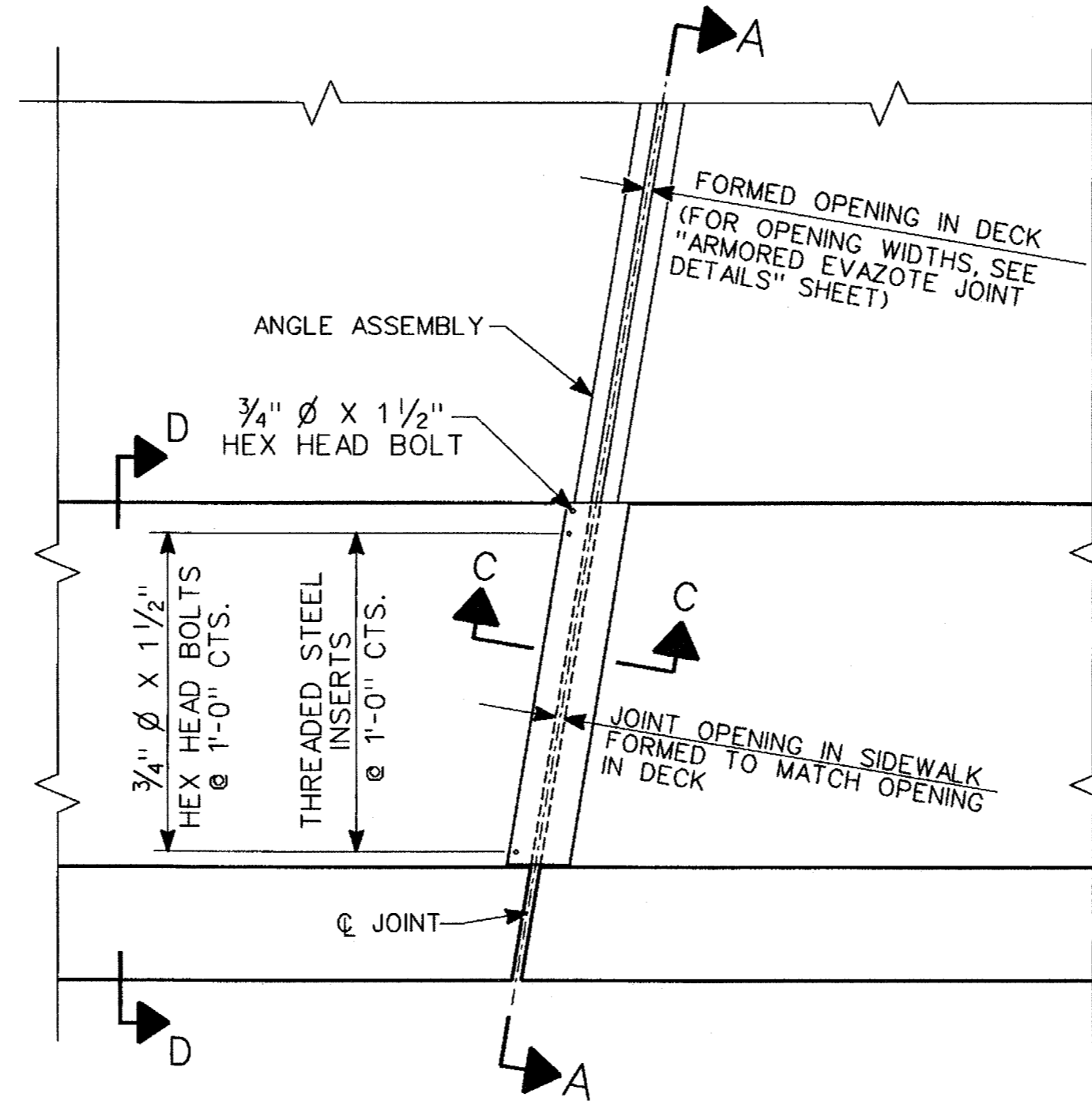


\* TO BE SET TO MATCH SLOPE OF BOTTOM OF S.I.P. FORMS (55 DRAINS REQUIRED)

PIPE DETAIL

**DRAIN DETAILS**

TOP OF FLOOR DRAINS TO BE SET 3/8" BELOW SURFACE OF SLAB.  
4 - 1/2" LUGS TO BE GLUED TO THE P.V.C. PLASTIC PIPE AT EQUAL SPACES AROUND THE PIPE DRAIN.



PLAN OF EVAZOTE JOINT SEAL WITH COVER PLATE

--- NOTES ---  
PROVIDE CONTINUOUS HIGH CHAIR FOR METAL DECK (C.H.C.M.) @ 4'-0" CENTERS WITH LEG SPACING TO MATCH THE PITCH OF THE FORM AND WITH A HEIGHT TO SUPPORT THE BOTTOM LAYER OF SLAB REINFORCEMENT A CLEAR DISTANCE OF 1/4" ABOVE THE TOP OF THE STAY-IN-PLACE FORM.

LONGITUDINAL STEEL MAY BE SHIFTED SLIGHTLY AS NECESSARY TO AVOID INTERFERENCE WITH STIRRUPS IN PRESTRESSED CONCRETE GIRDERS.

SIDEWALKS IN EACH SPAN SHALL NOT BE CAST UNTIL ALL SLAB CONCRETE IN THAT SPAN HAS BEEN CAST AND HAS REACHED A MINIMUM COMPRESSIVE STRENGTH OF 3,000 PSI.

PVC PLASTIC DECK DRAINS SHALL BE PAINTED WITH AN APPROVED VINYL PAINT. SEE SPECIAL PROVISIONS.

TEMPORARY STRUTS SHALL BE PLACED BETWEEN PRESTRESSED GIRDERS ADJACENT TO THE DIAPHRAGMS AND THE NUTS ON THE 1/4" DIA. TIE RODS SHALL BE FULLY TIGHTENED BEFORE THE DIAPHRAGMS ARE CAST. STRUTS SHALL REMAIN IN PLACE THREE (3) DAYS AFTER CONCRETE IS PLACED. THE TIE RODS SHALL BE RETIGHTENED AFTER THE STRUTS HAVE BEEN REMOVED.

CONCRETE IN INTERMEDIATE DIAPHRAGMS MAY BE CLASS A IN LIEU OF CLASS AA. PAYMENT SHALL BE MADE UNDER THE UNIT CONTRACT PRICE FOR REINFORCED CONCRETE DECK SLAB.

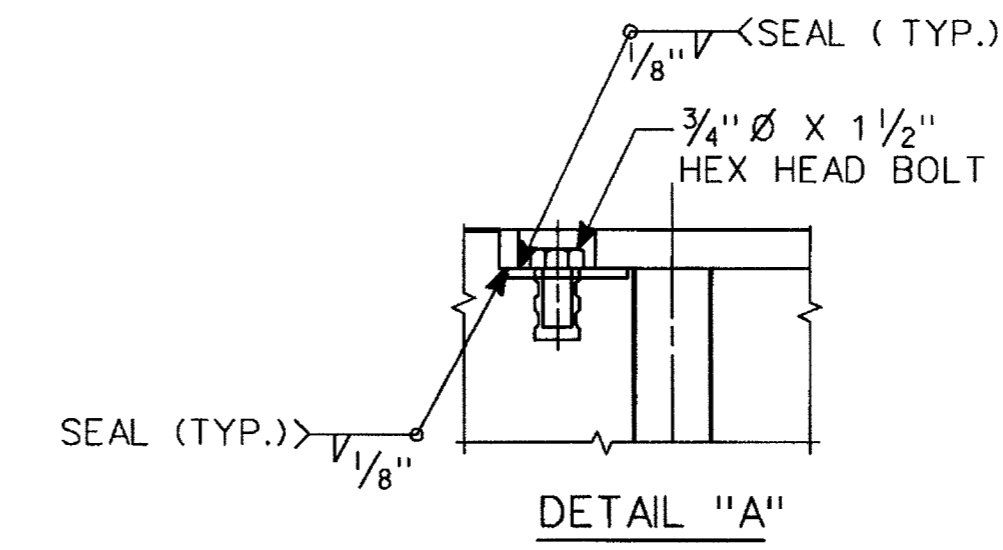
\*5G BARS MAY BE SHIFTED SLIGHTLY AS NECESSARY TO CLEAR REINFORCING STEEL AND STIRRUPS.

FOR DETAILS OF CONCRETE INSERTS, GUARDRAIL, AND RUBRAIL ANCHOR ASSEMBLIES, SEE "RAIL POST SPACING AND END OF RAIL DETAIL" SHEET.

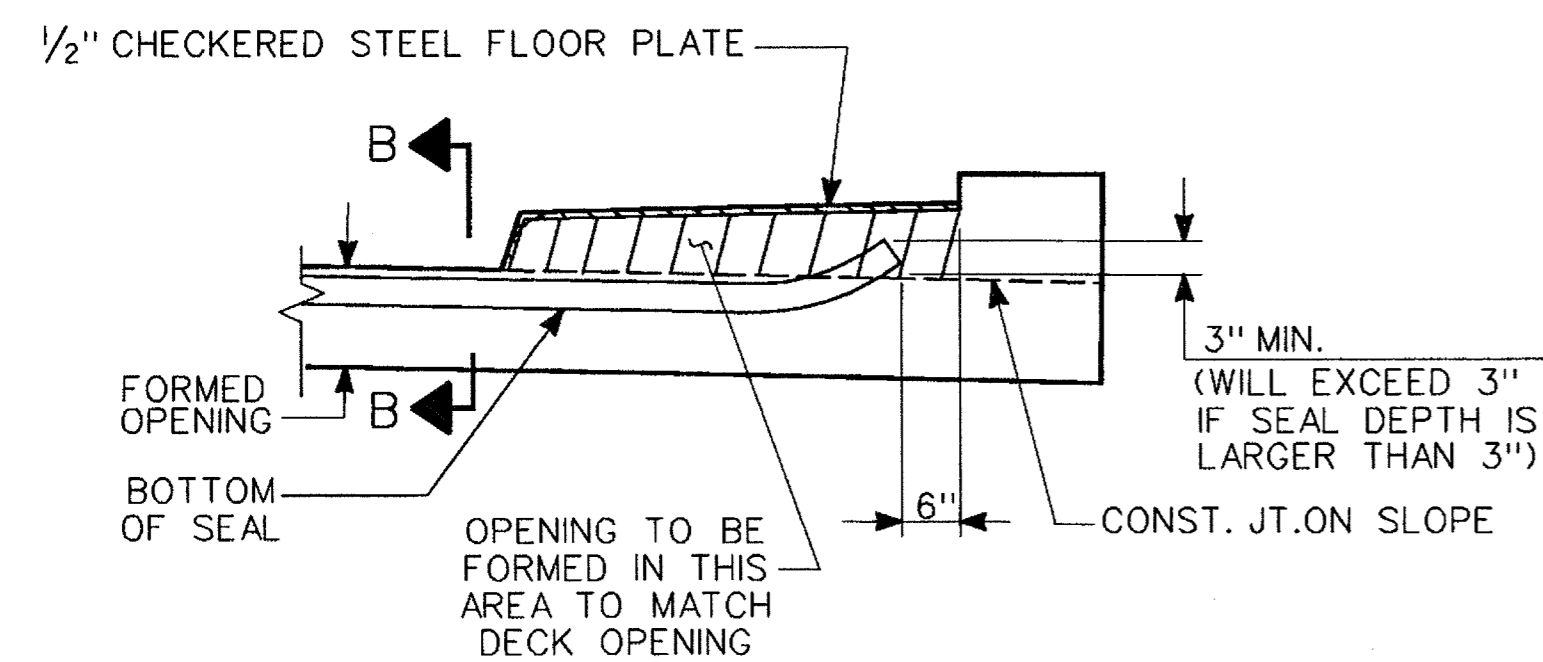
ALL REINFORCING STEEL IN SIDEWALKS SHALL BE EPOXY COATED.

FOR THE NOMINAL UNCOMPRESSED SEAL WIDTH OF THE EVAZOTE JOINT SEAL SEE "BRIDGE APPROACH SLAB" AND "ARMORED EVAZOTE JOINT DETAILS" SHEETS.

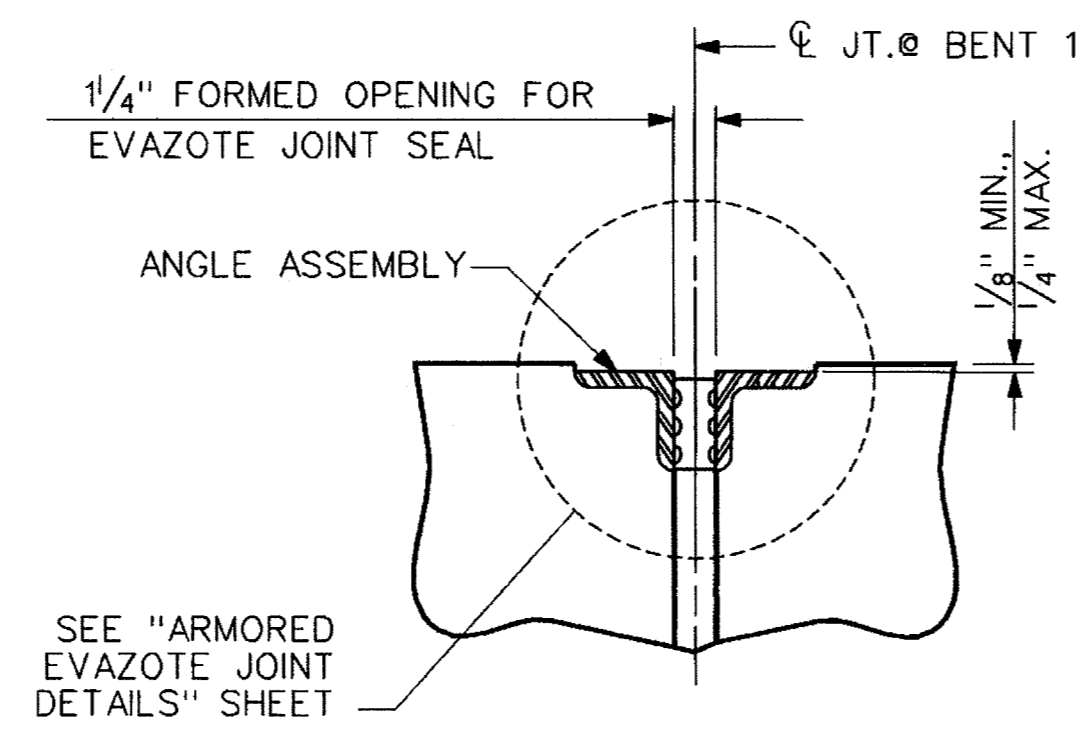
FOR EVAZOTE JOINT SEALS, SEE SPECIAL PROVISIONS.



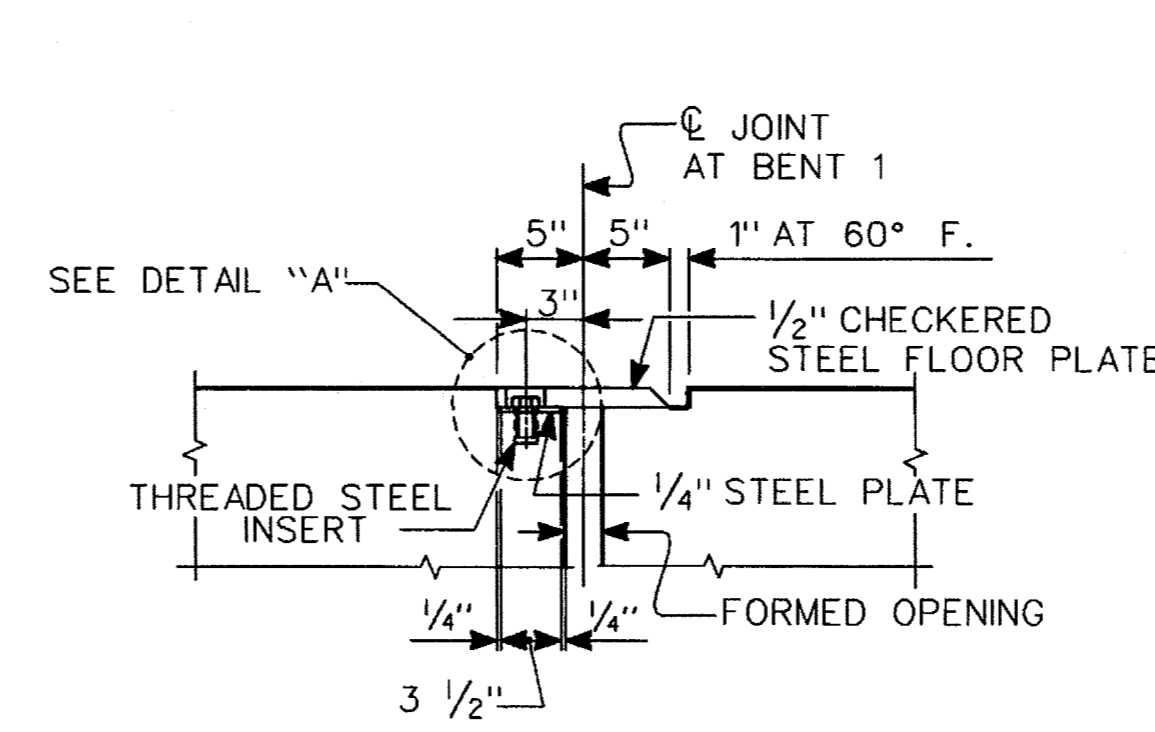
DETAIL "A"



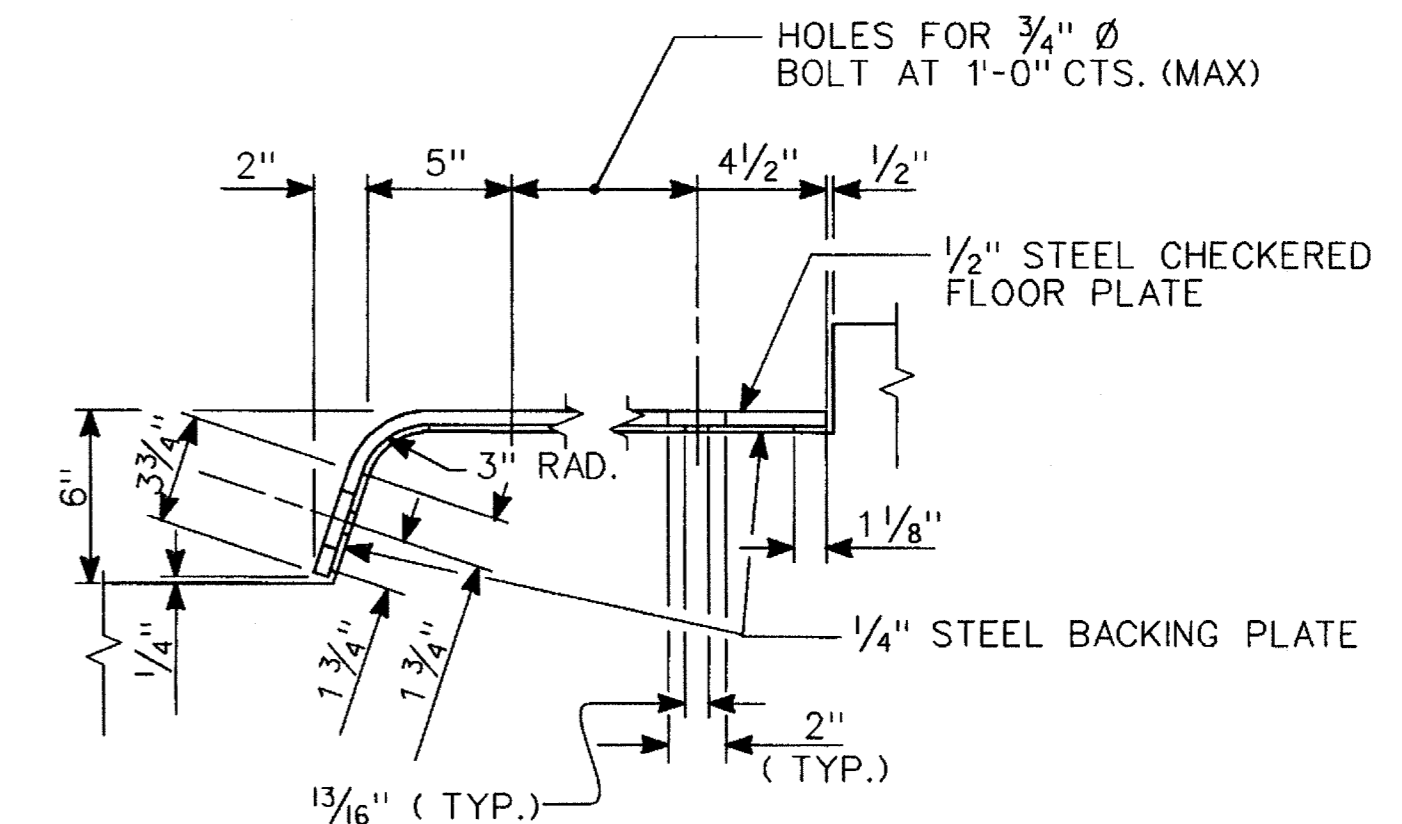
SECTION A-A



SECTION B-B  
EVAZOTE JOINT SEAL



SECTION C-C

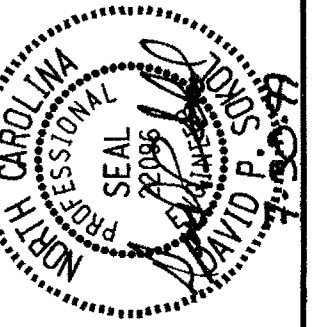


SECTION D-D

NOTE:  
SEE SECTION A-A FOR JOINT SEAL PLACEMENT DETAIL

**EVAZOTE JOINT SEAL DETAILS @ SIDEWALK - BENT 1**

FOR ADDITIONAL DETAILS, SEE "ARMORED EVAZOTE JOINT DETAILS" SHEET



DATE: 5/99

TECHNICIAN: TD

CHECKED BY: DS

REVISIONS

NO.	DATE

SCALE:  
NTS

PROJ. NO.  
28082.80

SHEET NO.  
3 of 3

DRAWING NO.  
S7